

One Portable Filtration Unit; Endless Applications

The Pall Filtration Unit (PFU) is a cost effective pump, motor and filter set, designed for off-line control of contamination in hydraulic and lubrication fluids. This compact, simple to operate unit uses Ultipleat® SRT high performance ($B_{x(c)} > 1000$) filtration to provide enhanced fluid system reliability, increased operational efficiency and extended fluid service life at almost any location within your site.

- Quick and simple to install and operate
- Compact, lightweight and quiet
- Long filter element service life

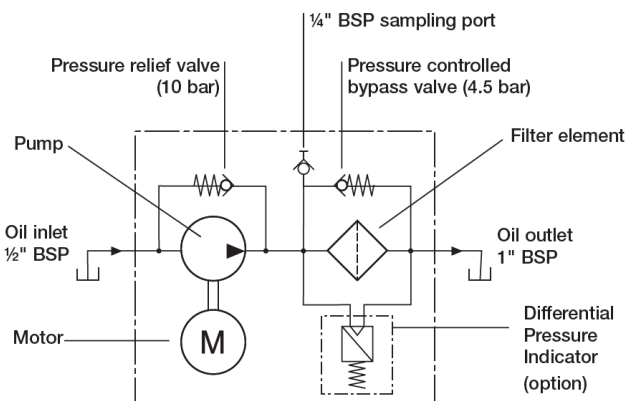
Features

- Flows up to 10 L/min (2.6 USgpm)
- Pressures up to 10 bar (150 psi)
- Inlet connection : ½" BSP ISO 228 female
- Outlet connection : 1" BSP ISO 228 female
- Fluid sampling port

Notes and Specifications - Filtration Unit

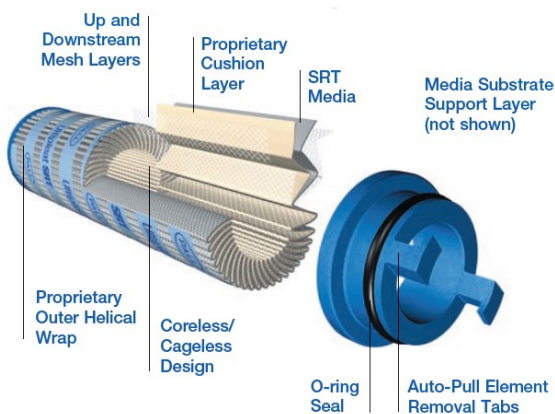
Power Consumption: 0.25 kW
 Supply Power: Single phase, 230 VAC, 50 Hz or 24 VDC
 Control Box: On/Off switch and 1.5m (5') cable
 Approximate Dry Weight: 15 kg (33.1 lbs) max
 Fluid Compatibility: Nitrile seals. Compatible with petroleum based fluids, synthetics and mineral oils
 Fluid Viscosity Range: 10 - 320 cSt
 Fluid Temperature Range: -10 °C to 70 °C (14 °F to 160 °F)
 Maximum Pressure at Outlet: 10 bar (150 psi)
 Maximum Negative Pressure at Inlet: 0.1 bar (1.5 psi)
 Materials of Construction: Painted steel, Aluminium
 Filter Element Burst Pressure: 10 bar (150 psid)
 Ultipleat SRT
 Element Construction: Inorganic fibers impregnated and bonded with epoxy Resins. Polymer endcaps. Anti-static media design.

Portable Pall Filtration Unit Ultipleat® SRT PFU Series



Element Pressure Drop information

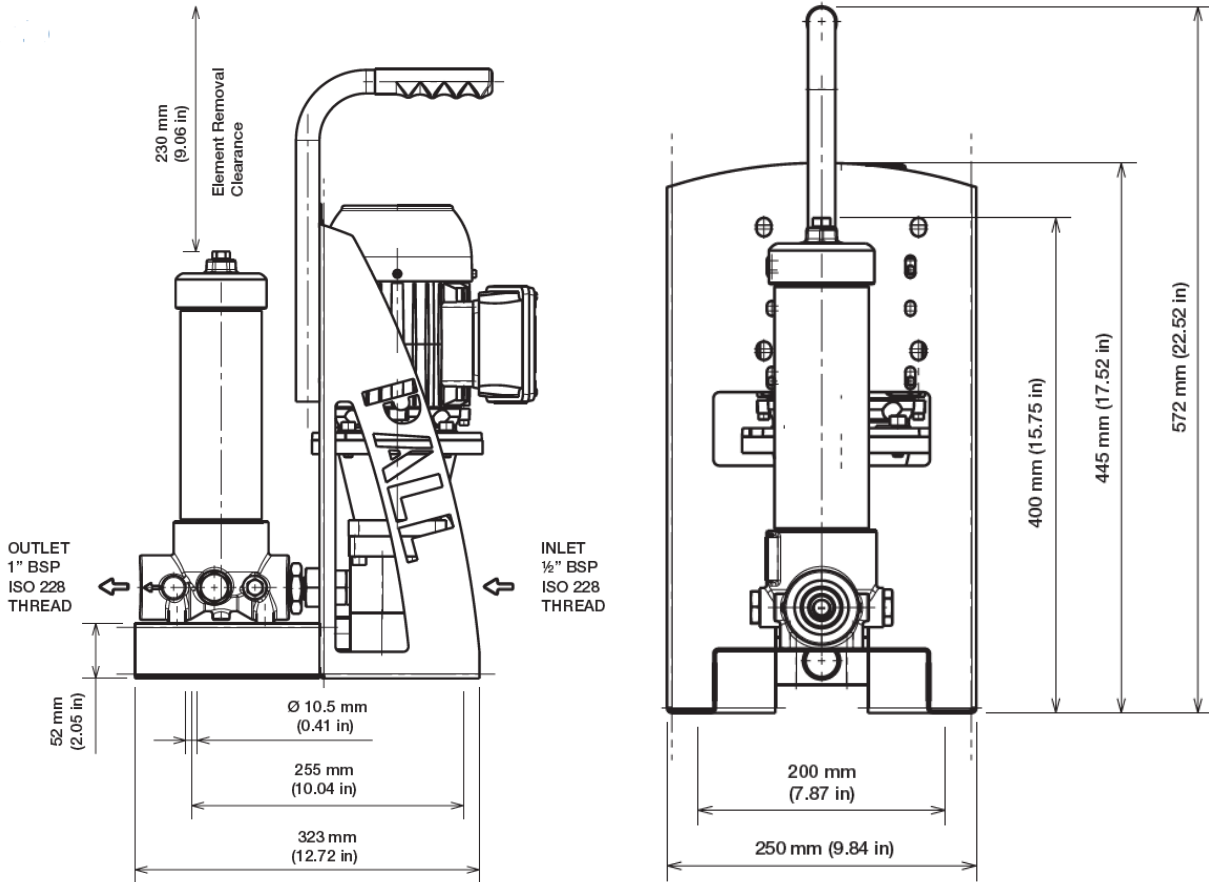
Multiply actual flow rate times factor in table below to determine pressure drop with fluid at 32 cSt (150 SUS), 0.9 S.G. Correct for other fluids by multiplying new viscosity in cSt/32 (SUS/150) x new S.G./0.9. Note: factors are per 1000 L/min and per 1 US gpm.



219 Series Filter Elements — bar/1000 L/min (psid/US gpm)

Length Code	AZ	AP	AN	AS	AT
08	9,93 (0,545)	4,21 (0,231)	2,83 (0,155)	1,76 (0,096)	1,33 (0,073)

Technical Information



Ordering Information

For new installations, create one complete part number from the options below.

Filtration Unit P/N: [FAPFU12P_{Tabelle1}08](#)

The PFU is supplied without filter element or filter change out (differential pressure) indicator fitted. Never operate the unit unless a filter element is fitted and indicator port sealed.

Ultipleat SRT Filterelement P/N: [UE 219_{Tabelle2}08 Z](#)

Visual Indicator* P/N: [RCA219DZ091Z](#)

* Other indicator options are available; contact Pall.

Pressure Equipment Directive:

This equipment has been assessed in accordance with the guidelines laid down in the equipment directive 97/23/EC and has been classified with SEP. We hereby declare under the provisions of this directive the assembly is suitable for use with Group 2 fluids only.

Table 1: Motor options

Code	Description
B2	24 V DC
N5	Single Phase 230VAC/50 Hz

Table 2: Filter element options

Code	$\beta_{x(c)} \geq 1000$ based on ISO 16889	CST-rating*
AZ	3	08/04/01
AP	5	12/07/02
AN	7	15/11/04
AS	12	16/13/04
AT	22	17/15/08

* CST: Cyclic Stabilization Test to determine filter rating under stress conditions, based on SAE ARP4205